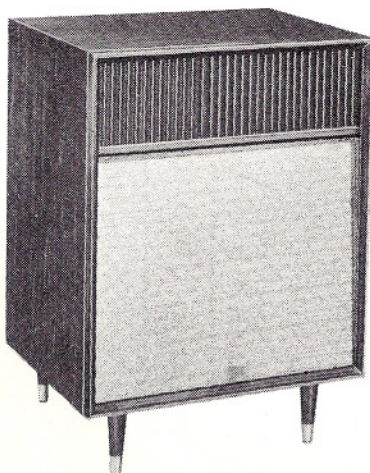


THE FISHER



STEREO COMPANION

SCHEMATIC and PARTS LIST



MODEL 560

CHASSIS SERIAL NUMBERS
10001-39999 INCLUSIVE

PRICE: \$1.00

FISHER RADIO CORPORATION • NEW YORK
(c) www.fisherconsoles.com

CHASSIS SERIAL NUMBERS
10001-39999 INCLUSIVE

THE FISHER 560



PARTS DESCRIPTION LIST

SERIAL NOS. 10001—19999 CAPACITORS

20% tolerance for all fixed capacitors, unless otherwise noted or marked GMV (guaranteed minimum value.) Cer = Ceramic

Symbol	Description	Part No.
C1	Molded, .022uf 10%; 500V	C50074-36
C2	Ceramic, 100uf 10% N1500; 1000V	C50070-6
C3	Electrolytic, 100uf; 25V	C643-145
C4	Ceramic, 47uf 10%; 500V	CC21GP470K5
C5	Ceramic, 150uf 10%; 500V	CC21GP151K5
C6	Molded, .022uf 10%; 500V	C50074-36
C7	Electrolytic, three sections: 40uf, 450V 40uf, 350V 40uf, 350V	C677-120
C8	Molded, .022uf 10%; 250V	C50074-26
C9	Molded, .01uf; 600V	C2747

RESISTORS AND POTENTIOMETERS

In ohms, 10% tolerance, 1/2 watt, unless otherwise noted. K = kilohm, M = megohm.

Symbol	Description	Part No.
R1	Composition, 680K	RC20BF684K
R2	Composition, 100K	RC20BF104K
R3	Composition, 2.2K	RC20BF222K
R4	Composition, 820K	RC20BF824K
R5	Wirewound, 140 5%, 5W	R677-119
R6	Potentiometer, 500K 20%	R520-139
R7	Composition, 12K	RC20BF123K
R8	Composition, 1.5K	RC20BF152K
R9	Composition, 12K	RC20BF123K
R10	Composition, 100K	RC20BF104K
R11	Composition, 820K	RC20BF824K
R12	Composition, 33K	RC20BF333K
R13	Composition, 22K	RC20BF223K
R14	Wirewound, 7000, 7W	R563-200
R15	Wirewound, 100, 5W	R592-185

TRANSFORMERS

Symbol	Description	Part No.
T1	Transformer, Output	T677-116
T2	Transformer, Power	T677-115

MISCELLANEOUS

Symbol	Description	Part No.
F1	Fuse, 1 Amp.	F3229

SERIAL NOS. 20001—29999 CAPACITORS

20% tolerance for all fixed capacitors, unless otherwise noted or marked GMV (guaranteed minimum value.) Cer = Ceramic

Symbol	Description	Part No.
C1	Molded, .047uf 10% 500V	C50074-37
C2	Ceramic, 300uf 10% 500V	CC21GP301K5
C3	Electrolytic, 100uf 25V	C643-145
C4	Not Used	
C5	Ceramic, 82uf 10% 500V	CC21GP820K5
C6	Molded, .047uf 10% 500V	C50074-37
C7	Electrolytic, three section: C7-A: 40uf, 450V C7-B: 40uf, 350V C7-C: 40uf, 350V	C677-120
C8	Molded, .022uf 10% 250V	C50074-26
C9	Molded, .01uf 600V	C2747

RESISTORS AND POTENTIOMETERS

In ohms, 10% tolerance, 1/2 watt, unless otherwise noted. K = kilohm, M = megohm.

Symbol	Description	Part No.
R1	Composition, 680K	RC20BF684K
R2	Composition, 100K	RC20BF104K
R3	Composition, 2.2K	RC20BF222K
R4	Composition, 820K	RC20BF824K
R5	Wirewound, 140, 5% 5W	R677-119
R6	Potentiometer, 500K 20%	R520-139
R7	Composition, 100K	RC20BF104K
R8	Composition, 1.5K	RC20BF152K
R9	Composition, 33K	RC20BF333K
R10	Composition, 100K	RC20BF104K
R11	Composition, 820K	RC20BF824K
R12	Composition, 33K	RC20BF333K
R13	Composition, 22K	RC20BF223K
R14	Wirewound, 7000, 7W	R563-200
R15	Wirewound, 100, 5W	R592-185

TRANSFORMERS

Symbol	Description	Part No.
T1	Transformer, Output	T539-117
T2	Transformer, Power	T725-115

MISCELLANEOUS

Symbol	Description	Part No.
F1	Fuse, 1 Ampere, SLO-BLO	F692-132

SERIAL NOS. 30001—39999 CAPACITORS

20% tolerance for all fixed capacitors, unless otherwise noted or marked GMV (guaranteed minimum value.) Cer = Ceramic

Symbol	Description	Part No.
C1	Molded, .047uf 10% 500V	C50074-37
C2	Ceramic, 220uf 10% 500V	CC21GP221K5
C3	Electrolytic, 100uf 25V	C643-145
C4	Not Used	
C5	Ceramic, 47uf 10% 500V	CC21GP470K5
C6	Molded, .047uf 10% 500V	C50074-37
C7	Electrolytic, three section: C7-A: 40uf, 450V C7-B: 40uf, 350V C7-C: 40uf, 350V	C677-120
C8	Molded, .022uf 10% 250V	C50074-26
C9	Molded, .01uf 600V	C2747

RESISTORS AND POTENTIOMETERS

In ohms, 10% tolerance, 1/2 watt, unless otherwise noted. K = kilohm, M = megohm.

Symbol	Description	Part No.
R1	Composition, 390K	RC20BF394K
R2	Composition, 82K	RC20BF823K
R3	Composition, 2.2K	RC20BF222K
R4	Composition, 820K	RC20BF824K
R5	Wirewound, 140, 5% 5W	R677-119
R6	Potentiometer, 500K 20%	R520-139
R7	Composition, 10K	RC20BF103K
R8	Composition, 1.5K	RC20BF152K
R9	Composition, 33K	RC20BF333K
R10	Composition, 56K	RC20BF563K
R11	Composition, 820K	RC20BF824K
R12	Composition, 33K	RC20BF333K
R13	Composition, 22K	RC20BF223K
R14	Wirewound, 7000, 7W	R563-200
R15	Wirewound, 100, 5W	R592-185
R16	Potentiometer, 50K 20%	R50103-3

TRANSFORMERS

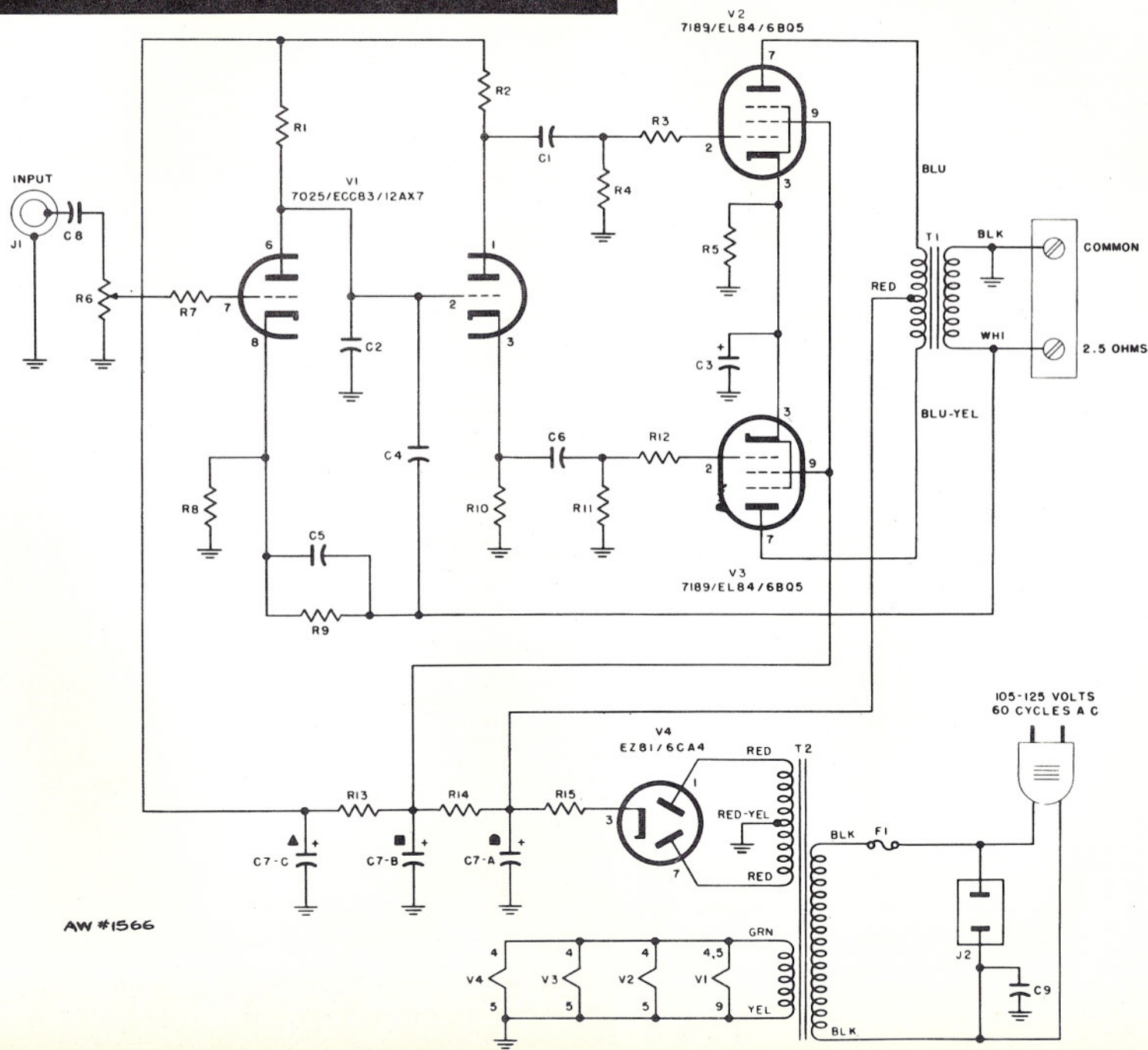
Symbol	Description	Part No.
T1	Transformer, Output	T725-116
T2	Transformer, Power	T725-115

MISCELLANEOUS

Symbol	Description	Part No.
F1	Fuse, 1 Ampere, SLO-BLO	F692-132

SCHEMATIC DIAGRAM

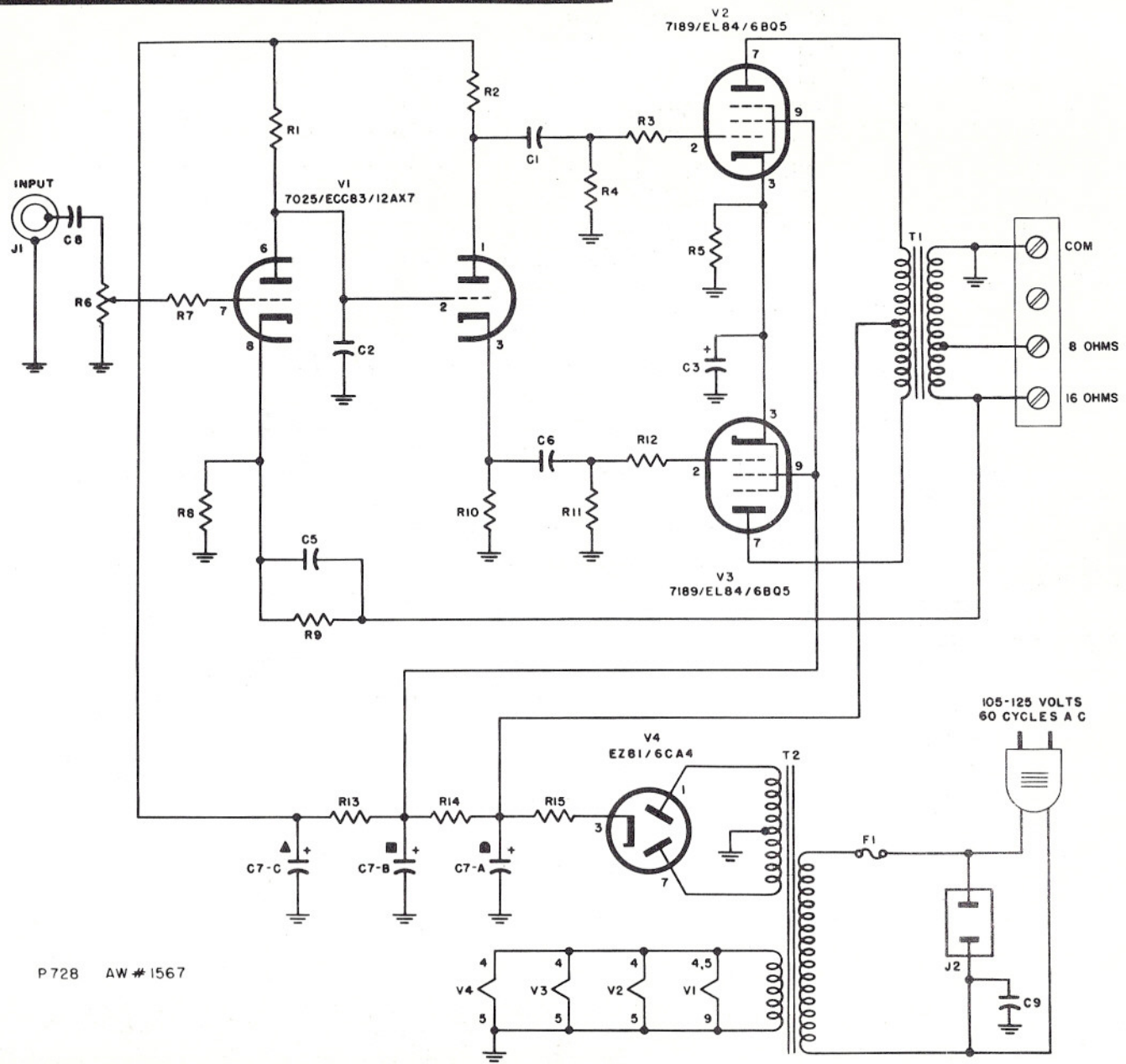
CHASSIS SERIAL NUMBERS
10001-19999 INCLUSIVE



AW #1566

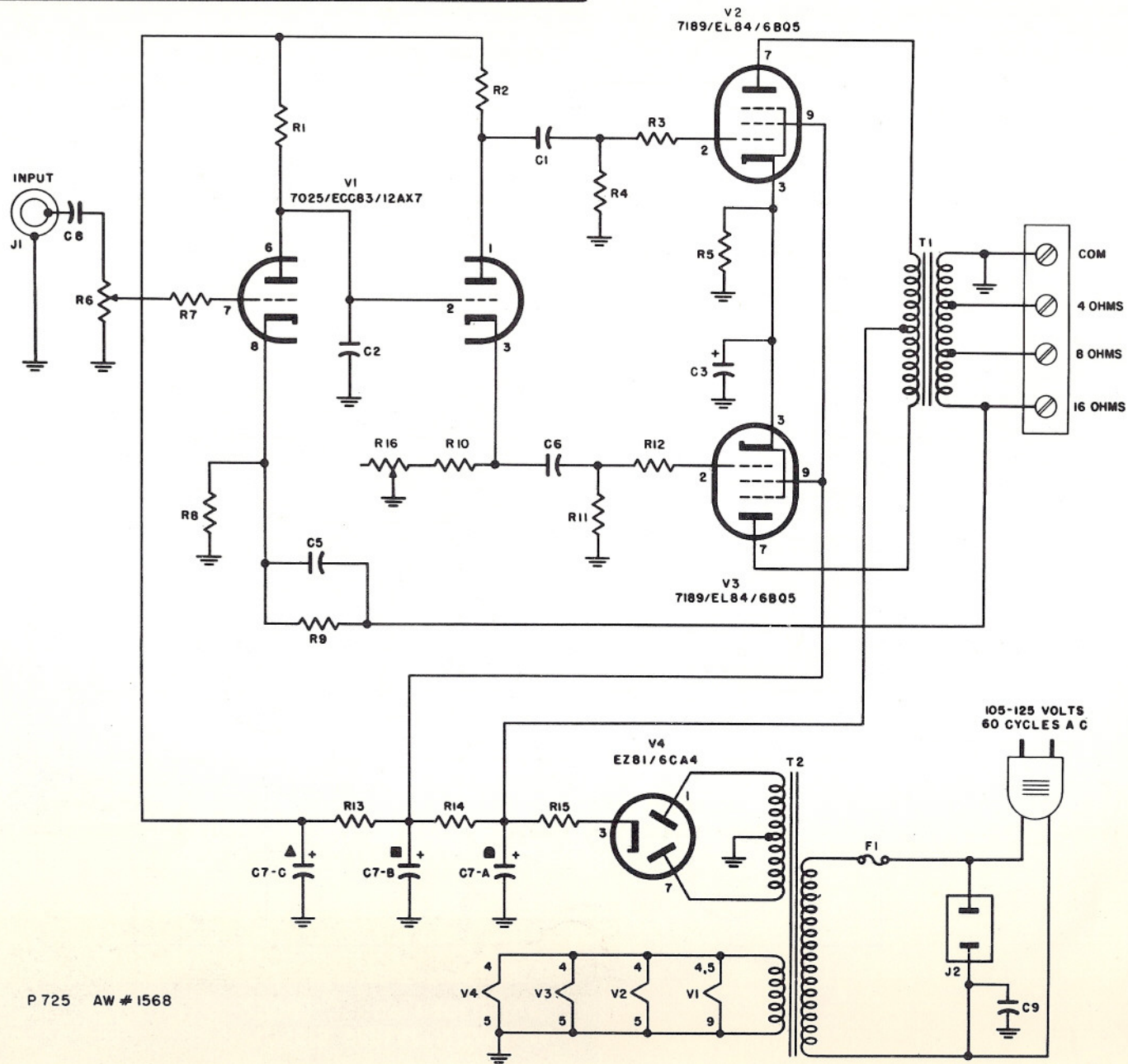
SCHEMATIC DIAGRAM

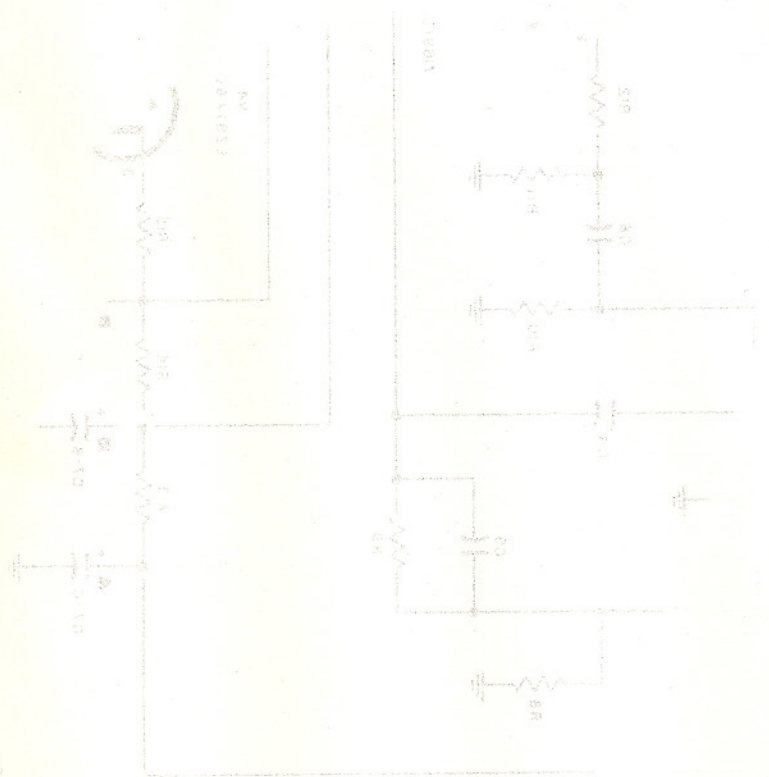
CHASSIS SERIAL NUMBERS
20001-29999 INCLUSIVE



SCHEMATIC DIAGRAM

CHASSIS SERIAL NUMBERS
30001-39999 INCLUSIVE





4217WIM-128



FISHER RADIO CORPORATION • NEW YORK